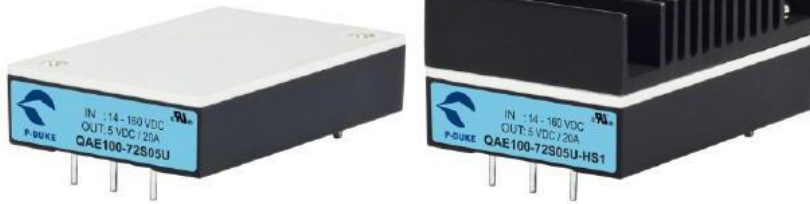




**3**  
YEARS  
WARRANTY

ROHS  
COMPLIANT

REACH  
COMPLIANT



Railway



Automation



Datacom



IPC



Industry



Measurement



Telecom



Automobile



Boat



Charger



Medical



PV



**3000 VAC**  
Reinforced  
Insulation

**2250 VDC**  
Basic  
Insulation

**12:1**  
Ultra-Wide  
Input  
Range

**HOLD UP**

**NO**  
Min. Load  
Required

**LOW**  
Standby  
Power

**REMOTE ON OFF**

**OCP**

**OTP**

**OVP**

**SCP**

**UVP**  
Adjustable

### PART NUMBER STRUCTURE

QAE100 - **72** **S** **05** **U** - **K** **P** **HS**

Series Name    Input Voltage (VDC)    Output Quantity    Output Voltage (VDC)    Input Range    Bus & UVP adj. Options    Remote Control Options    Assembly Options

36: 9-75  
72: 14-160

S: Single

05:5  
12:12  
15:15  
24:24  
28:28  
48:48  
53:53

8:1  
12:1

: None  
K: With Bus & UVP adj.  
V: With UVP adj.

: Negative logic  
P: Positive logic

: None  
**Heat-sink type**  
HS7G-0029B-F;H=0.24"  
HS1:7G-0030B-F;H=0.5"  
HS2:7G-0031B-F;H=0.24"  
HS3:7G-0032B-F;H=0.5"  
HS4:7GA0124P01-F;H=0.65"  
HS5:7GA0125P01-F;H=1"

**Through hole type**  
TH:No thread\*

\* The module can't equip. Heat-sink with TH option

**TECHNICAL SPECIFICATION** All specifications are typical at nominal input, full load and 25°C unless otherwise noted

Model Number	Input Range	Output Voltage	Output Current @Full Load	Input Current @No Load	Efficiency	Maximum Capacitor Load
	VDC	VDC	A	mA	%	μF
QAE100-36S05U	9 ~ 75	5	20	20	88	40000
QAE100-36S12U	9 ~ 75	12	8.35	30	88	7000
QAE100-36S15U	9 ~ 75	15	6.7	30	89	4500
QAE100-36S24U	9 ~ 75	24	4.2	20	88	1800
QAE100-36S28U	9 ~ 75	28	3.6	20	88	1300
QAE100-36S48U	9 ~ 75	48	2.1	20	90	430
QAE100-36S53U	9 ~ 75	53	1.92	20	90	370
QAE100-72S05U	14 ~ 160	5	20	15	88	40000
QAE100-72S12U	14 ~ 160	12	8.35	20	88	7000
QAE100-72S15U	14 ~ 160	15	6.7	20	88	4500
QAE100-72S24U	14 ~ 160	24	4.2	15	88	1800
QAE100-72S28U	14 ~ 160	28	3.6	15	88	1300
QAE100-72S48U	14 ~ 160	48	2.1	15	89	430
QAE100-72S53U	14 ~ 160	53	1.92	15	89	370

## INPUT SPECIFICATIONS

Parameter	Conditions	Min.	Typ.	Max.	Unit
Operating input voltage range	36Vin(nom) 72Vin(nom)	9 14	36 72	75 160	VDC
Start up voltage	36Vin(nom) 72Vin(nom)			9 14	VDC
Shutdown voltage	36Vin(nom) 72Vin(nom)	7.3 10	7.7 11	8.1 12	VDC
Start up time	Constant resistive load Power up Remote ON/OFF		75 75	100 100	ms
Input Transient voltage	100 mS, max. 36Vin(nom) 72Vin(nom)	8.1 12			VDC
Input surge voltage	1 second, max. 36Vin(nom) 72Vin(nom)			100 185	VDC
Input filter <sup>(1)</sup>			Pi type		
Remote ON/OFF	Referred to -Vin pin Negative logic (Standard) Positive logic (Option) Input current of Ctrl pin Remote off input current			Short or 0 ~ 1.2VDC Open or 3 ~ 12VDC Open or 3 ~ 12VDC Short or 0 ~ 1.2VDC	
		-0.5	3	1	mA mA

## OUTPUT SPECIFICATIONS

Parameter	Conditions	Min.	Typ.	Max.	Unit
Voltage accuracy		-1.0		+1.0	%
Line regulation	Low Line to High Line at Full Load	-0.1		+0.1	%
Load regulation	No Load to Full Load	-0.1		+0.1	%
Voltage adjustability	Maximum output deviation is inclusive of remote sense	-20		+10	%
Remote sense	% of Vout(nom). If remote sense is not being used, SENSE pins should be connected to corresponding polarity OUTPUT pins.			10	%
Ripple and noise	Measured by 20MHz bandwidth With a 10µF/25V X7R MLCC and a 47µF/20V SP-CAP With a 22µF/25V X7R MLCC With a 4.7µF/50V X7R MLCC With a 2.2µF/100V X7R MLCC				
	5Vout		75		
	12Vout, 15Vout		100		mVp-p
	24Vout, 28Vout		200		
	48Vout, 53Vout		300		
Temperature coefficient		-0.02		+0.02	%/°C
Transient response recovery time	25% load step change		250		µs
Over voltage protection	% of Vout(nom); Hiccup mode	120		135	%
Over load protection	% of Iout rated; Hiccup mode	110		130	%
Short circuit protection		Continuous, automatic recovery			

## GENERAL SPECIFICATIONS

Parameter	Conditions	Min.	Typ.	Max.	Unit
Isolation voltage	1 minute (Reinforced insulation)	72Vin(nom)	Input to Output Input (Output) to Base-Plate	3000 1500	VAC
	1 minute (Basic insulation)	36Vin(nom)	Input to Output Input (Output) to Base-Plate	2250 1600	VDC
	500VDC			1	GΩ
Isolation capacitance				1000	pF
Switching frequency		160	180	200	kHz
Safety approvals	IEC/ EN/ UL62368-1				UL:E193009 CB:UL(Demko)
Standard approvals	EN50155 EN45545-2				
Case material		Aluminum base-plate with plastic case			
Potting material		Silicone (UL94 V-0)			
Weight		64g (2.26oz)			
MTBF	MIL-HDBK-217F, Full load	4.208 x 10 <sup>5</sup> hrs			

## ENVIRONMENTAL SPECIFICATIONS

Parameter	Conditions	Min.	Typ.	Max.	Unit
Operating base-plate temperature		-40		+105	°C
Maximum case temperature				105	°C
Over temperature protection			110		°C
Storage temperature range		-55		+125	°C
Thermal impedance	Module without assembly option		8.3		
	Only mount on the iron base-plate		2.5		
	Heat-sink type with 0.24" Height		7.4		
	Heat-sink type with 0.5" Height		6.2		°C/W
	Heat-sink type with 0.65" Height		4.4		
	Heat-sink type with 1" Height		3.6		
Thermal shock					MIL-STD-810F
Shock					EN61373, MIL-STD-810F
Vibration					EN61373, MIL-STD-810F
Relative humidity					5% to 95% RH

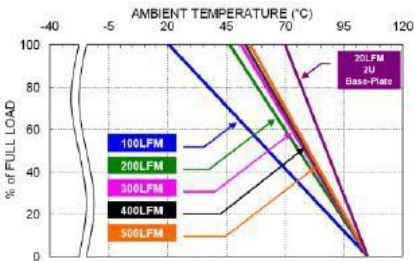
EMC SPECIFICATIONS			
Parameter	Conditions		Level
EMI	EN55032, EN50121-3-2	With external components	Class A, Class B
EMS	EN55024, EN50121-3-2		
ESD	EN61000-4-2	Air $\pm$ 8kV and Contact $\pm$ 6kV	Perf. Criteria A
Radiated immunity	EN61000-4-3	20 V/m	Perf. Criteria A
Fast transient	EN61000-4-4	$\pm$ 2kV	Perf. Criteria A
	QAE100-36S□□U	With 2 pcs of aluminum electrolytic capacitor (Nippon Chemi-con KY series, 220 $\mu$ F/100V)	
	QAE100-72S□□U	With 2 pcs of aluminum electrolytic capacitor (Nippon Chemi-con KXJ series, 150 $\mu$ F/200V)	
Surge	EN61000-4-5	EN55024: $\pm$ 1kV and EN50121-3-2: $\pm$ 2kV	Perf. Criteria A
	QAE100-36S□□U	With 2 pcs of aluminum electrolytic capacitor (Nippon Chemi-con KY series, 220 $\mu$ F/100V)	
	QAE100-72S□□U	With 2 pcs of aluminum electrolytic capacitor (Nippon Chemi-con KXJ series, 150 $\mu$ F/200V)	
Conducted immunity	EN61000-4-6	10 Vr.m.s	Perf. Criteria A
Power frequency magnetic field	EN61000-4-8	100A/m continuous; 1000A/m 1 second	Perf. Criteria A

**Note:**

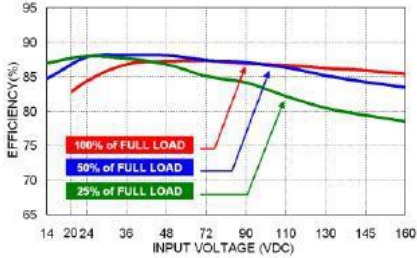
- Input source impedance: The power module will operate as specifications without external components, assuming that the source voltage has a very low impedance and reasonable input voltage regulation. Highly inductive source impedances can affect the stability of the power module. Since real-world voltage source has finite impedance, performance can be improved by adding external filter capacitor.  
The QAE100-36S□□U recommended Nippon Chemi-con KY series, 220 $\mu$ F/100V.  
The QAE100-72S□□U recommended Nippon Chemi-con KXJ series, 150 $\mu$ F/200V.
- BASE-PLATE GROUNDING: When connect two screw bolts to shield plane, the EMI could be reduced.

**CAUTION:** This power module is not internally fused. An input line fuse must always be used.

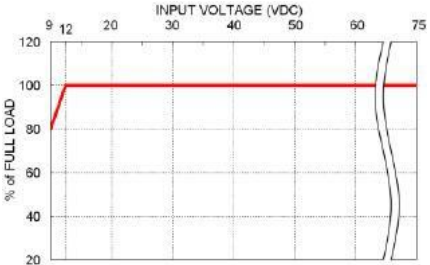
## CHARACTERISTIC CURVE



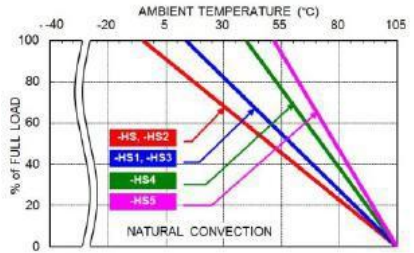
QAE100-72S05U Derating Curve  
(See Thermal Considerations)



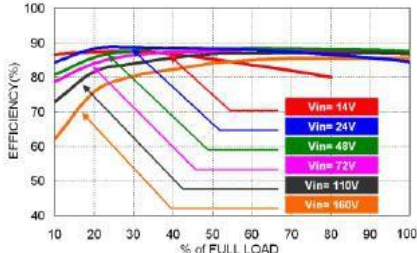
QAE100-72S05U  
Efficiency vs. Input Voltage



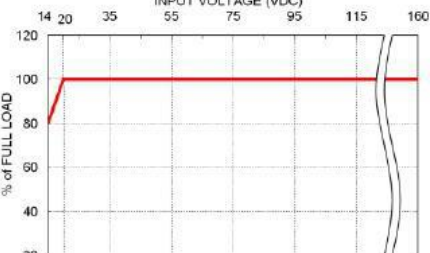
QAE100-36S00U  
Derating Curve vs. Input Voltage



QAE100-72S05U Derating Curve with Heat-sink  
(See Thermal Considerations)



QAE100-72S05U  
Efficiency vs. Output Load



QAE100-72S00U  
Derating Curve vs. Input Voltage

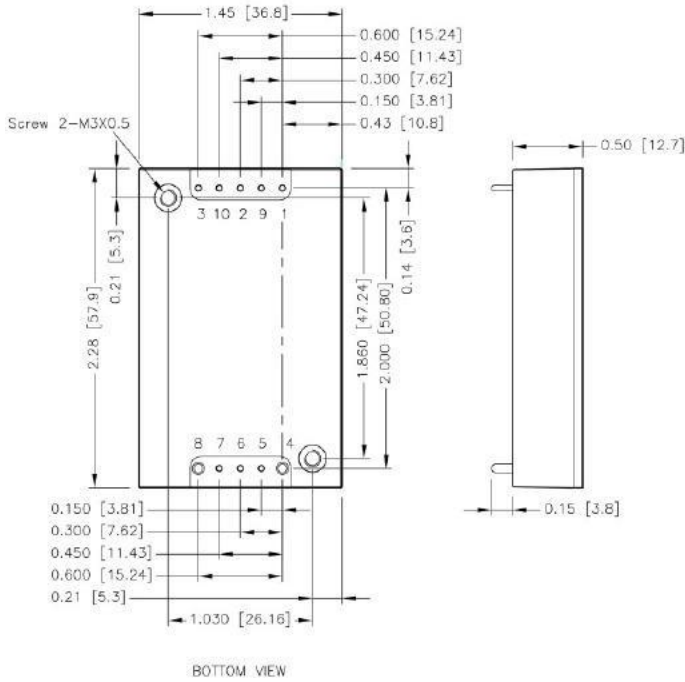
## FUSE CONSIDERATION

This power module is not internally fused. An input line fuse must always be used. This encapsulated power module can be used in a wide variety of applications, ranging from simple stand-alone operation to an integrated part of sophisticated power architecture. To maximum flexibility, internal fusing is not included; however, to achieve maximum safety and system protection, always use an input line fuse. The input line fuse suggest as below :

Model	Fuse Rating (A)	Fuse Type
QAE100-36S00U	20	Fast-Acting
QAE100-72S00U	13	Fast-Acting

The table based on the information provided in this data sheet on inrush energy and maximum DC input current at low Vin.

## MECHANICAL DRAWING

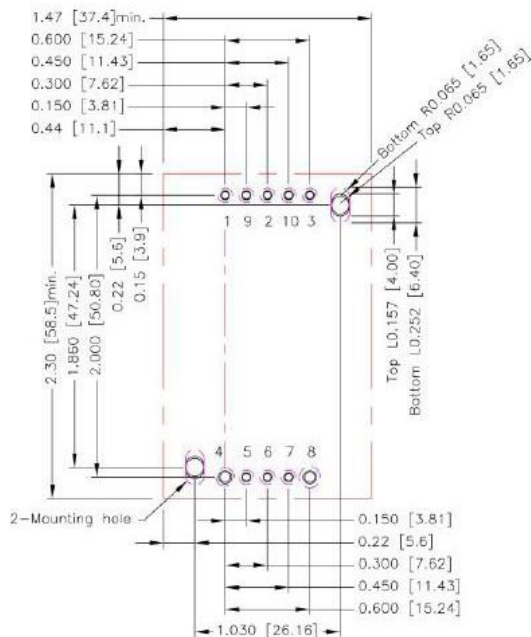


### PIN CONNECTION

PIN	DEFINE	DIAMETER
1	- Vin	0.04 Inch
2	Ctrl	0.04 Inch
3	+ Vin	0.04 Inch
4	- Vout	0.06 Inch
5	- Sense	0.04 Inch
6	Trim	0.04 Inch
7	+ Sense	0.04 Inch
8	+ Vout	0.06 Inch
9	Bus (option)	0.04 Inch
10	UVLO (option)	0.04 Inch

1. All dimensions in inch [mm]
2. Tolerance :x.xx±0.02 [x.x±0.5]  
x.xxx±0.010 [x.xx±0.25]
3. Pin dimension tolerance ±0.004[0.10]
4. The screw locked torque: MAX 3.5kgf-cm [0.34N-m]

## RECOMMENDED PAD LAYOUT



- All dimensions in inch[mm]
- Pad size(lead free recommended)
  - Through hole 1.2.3.5.6.7.9.10:∅0.051[1.30]
  - Through hole 4.8:∅0.075[1.90]
  - Through hole of mounting:∅0.126[3.20]
  - Top view pad 1.2.3.5.6.7.9.10:∅0.064[1.63]
  - Top view pad 4.8:∅0.094[2.38]
  - Top view pad of mounting:Groove R0.065[1.65]L0.157[4.00]
  - Bottom view pad 1.2.3.5.6.7.9.10:∅0.102[2.60]
  - Bottom view pad 8:∅0.150[3.80]
  - Bottom view pad 4:∅0.130[3.30]
  - Bottom view pad of mounting:Groove R0.065[1.65]L0.252[6.40]

## THERMAL CONSIDERATIONS

The power module operates in a variety of thermal environments.

However, sufficient cooling should be provided to help ensure reliable operation of the unit.

Heat is removed by conduction, convection, and radiation to the surrounding environment.

Proper cooling can be verified by measuring the point as the figure below.

The temperature at this location should not exceed "Maximum case temperature".

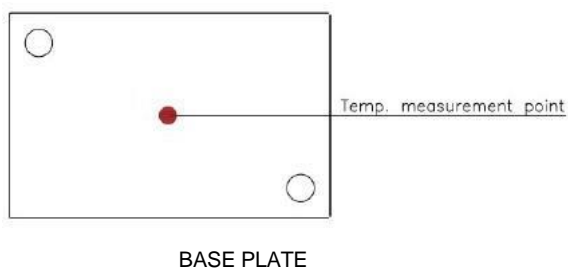
When operating, adequate cooling must be provided to maintain the test point temperature at or below "Maximum case temperature".

You can limit this temperature to a lower value for extremely high reliability.

■ Thermal test condition with vertical direction by natural convection (20LFM).

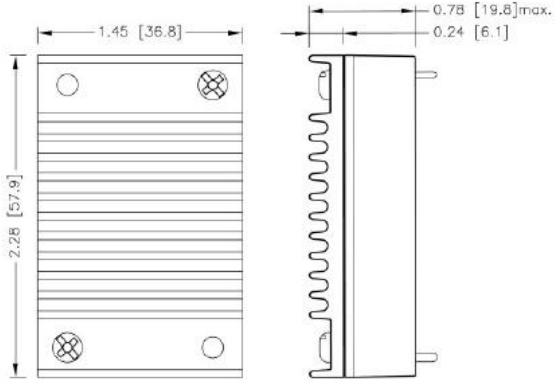
■ The iron base-plate dimension is 19" X 3.5" X 0.063" (The height is EIA standard 2U).

The heat-sink is optional and P/N: 7G-0029B-F, 7G-0030B-F, 7G-0031B-F, 7G-0032B-F, 7GA0124P01-F, 7GA0125P01-F.

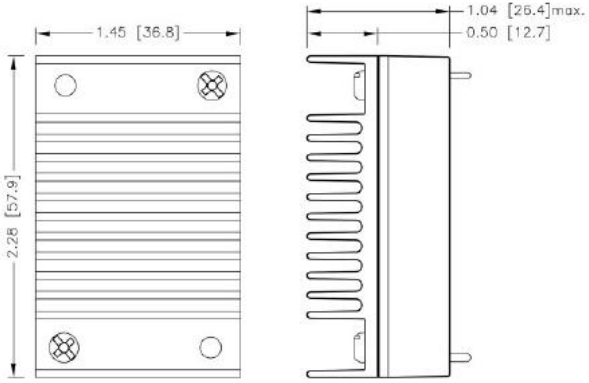


## HEAT-SINK TYPE OPTIONS

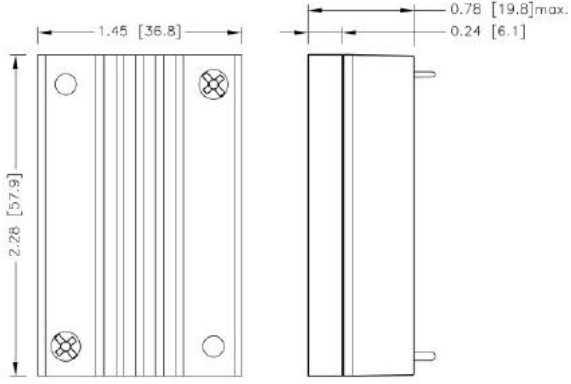
QAE100-□□S□□U-**HS**  
7G-0029B-F



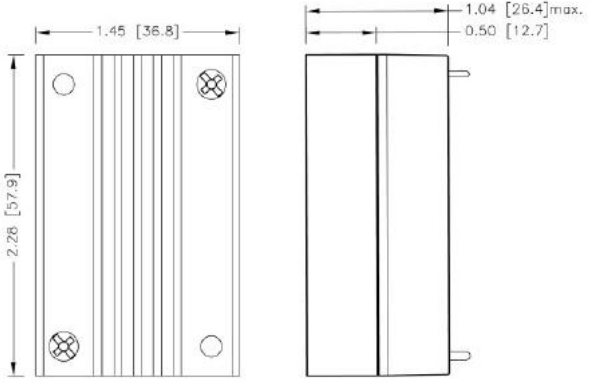
QAE100-□□S□□U-**HS1**  
7G-0030B-F



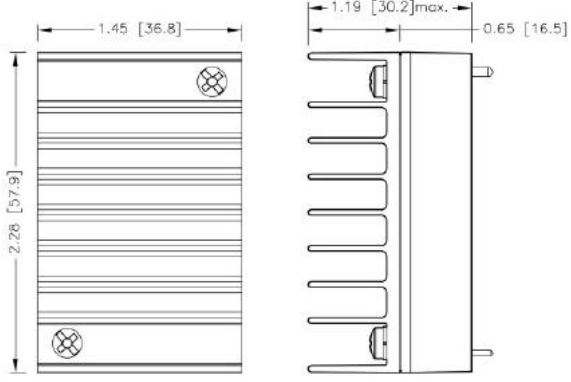
QAE100-□□S□□U-**HS2**  
7G-0031B-F



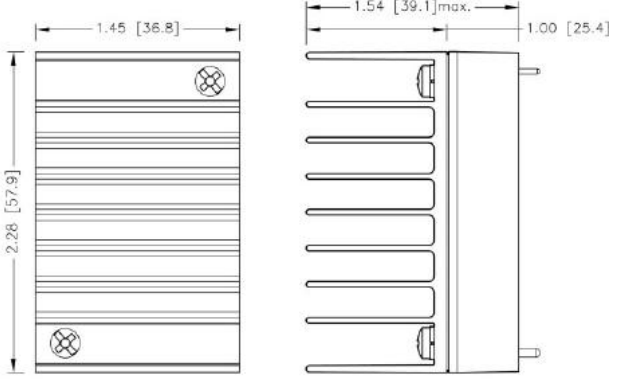
QAE100-□□S□□U-**HS3**  
7G-0032B-F



QAE100-□□S□□U-**HS4**  
7GA0124P01-F

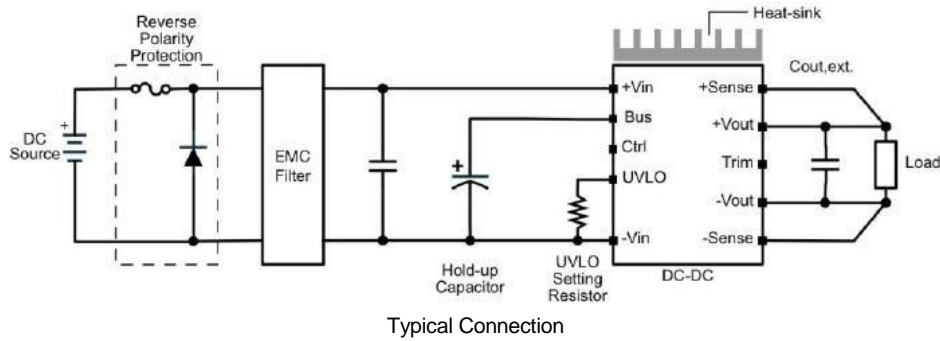


QAE100-□□S□□U-**HS5**  
7GA0125P01-F



1. All dimensions in inch [mm]  
2. Tolerance :x.xx±0.02 [x.x±0.5]

## TYPICAL APPLICATION

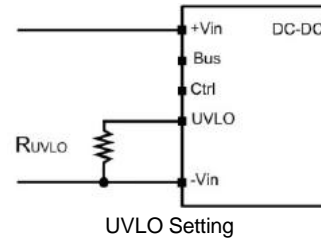


### UVLO

This series product has ultra wide input range. It could cover many kind of nominal input voltage in one module. In order to preventing incorrect operating under different input system, it offers UVLO adjustment by connecting a resistor to set UVLO threshold.

### UVLO Constants

Model	A	B	C
QAE100-36S□□U	48000	8273	0.96
QAE100-72S□□U	120000	12500	2.4



### UVLO Equation

Start-up Voltage

$$V_{\text{start-up}} = 1.25 \times \left[ \frac{A \times (R_{\text{UVLO}} + B)}{R_{\text{UVLO}} \times B} + 1 \right]$$

Shutdown Voltage

$$V_{\text{shutdown}} = V_{\text{start-up}} - C$$

### UVLO values for various nominal input voltage and R<sub>UVLO</sub> table

#### QAE100-36S□□U

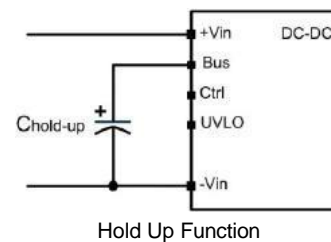
Nominal Vin	12V	24V	36V	48V
Start-up voltage	8.46 V	13.36 V	20.56 V	27.76 V
Shutdown voltage	7.5 V	12.4 V	19.6 V	26.8 V
UVLO Setting resistor	Open	12.35 KΩ	4.98 KΩ	3.12 KΩ

#### QAE100-72S□□U

Nominal Vin	24 V	36 V	48 V	72 V	96 V	110 V
Start-up voltage	14.8 V	22 V	29.2 V	43.6 V	58 V	66.4 V
Shutdown voltage	12.4 V	19.6 V	26.8 V	41.2 V	55.6 V	64 V
UVLO Setting resistor	96.77 KΩ	17.14 KΩ	9.40 KΩ	4.94 KΩ	3.35 KΩ	2.82 KΩ

### Hold Up Time

Generally, connecting a large number of hold up capacitors on input are necessary to get a long duration of hold up time for S2, C2 described in EN50155. The Bus pin features excellent function can simply connect capacitors to Bus pin with less quantity of capacitors. It helps reduce layout area and smooth the inrush current. For further information, please contact sales@powermateusa.com



## OUTPUT VOLTAGE ADJUSTMENT

Output voltage is adjustable for 10% trim up or -20% trim down of nominal output voltage by connecting an external resistor between the Trim pin and either the +Sense or -Sense pins.

With an external resistor between the Trim and -Sense pin, the output voltage set point decreases.

With an external resistor between the Trim and +Sense pin, the output voltage set point increases.

Maximum output deviation is +10% inclusive of remote sense.

The external TRIM resistor needs to be at least 1/8W of rated power.

### Trim Up Equation

$$R_U = \left( \frac{5.11V_{OUT}(100+\Delta\%)}{1.225\Delta\%} - \frac{511+10.22\Delta\%}{\Delta\%} \right) k\Omega$$

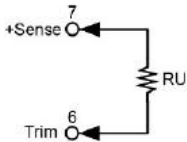
### Trim Down Equation

$$R_D = \left( \frac{511}{\Delta\%} - 10.22 \right) k\Omega$$

## EXTERNAL OUTPUT TRIMMING

Output can be externally trimmed by using the method shown below.

Trim-up



### □□S05U

ΔV (%)	1	2	3	4	5	6	7	8	9	10
Vout (V)	5.05	5.10	5.15	5.20	5.25	5.30	5.35	5.40	5.45	5.50
RU (kΩ)	1585.35	797.994	535.542	404.316	325.58	273.09	235.596	207.476	185.605	168.109

### □□S12U

ΔV (%)	1	2	3	4	5	6	7	8	9	10
Vout (V)	12.12	12.24	12.36	12.48	12.60	12.72	12.84	12.96	13.08	13.20
RU (kΩ)	4534.55	2287.19	1538.08	1163.52	938.78	788.956	681.939	601.676	539.25	489.309

### □□S15U

ΔV (%)	1	2	3	4	5	6	7	8	9	10
Vout (V)	15.15	15.30	15.45	15.60	15.75	15.90	16.05	16.20	16.35	16.50
RU (kΩ)	5798.49	2925.42	1967.73	1488.89	1201.58	1010.04	873.229	770.619	690.812	626.966

### □□S24U

ΔV (%)	1	2	3	4	5	6	7	8	9	10
Vout (V)	24.24	24.48	24.72	24.96	25.20	25.44	25.68	25.92	26.16	26.40
RU (kΩ)	9590.32	4840.11	3256.7	2465	1989.98	1673.3	1447.1	1277.45	1145.5	1039.94

### □□S28U

ΔV (%)	1	2	3	4	5	6	7	8	9	10
Vout (V)	28.28	28.56	28.84	29.12	29.40	29.68	29.96	30.24	30.52	30.80
RU (kΩ)	11275.58	5691.08	3829.58	2898.83	2340.38	1968.08	1702.151	1502.705	1347.58	1223.48

### □□S48U

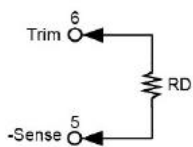
ΔV (%)	1	2	3	4	5	6	7	8	9	10
Vout (V)	48.48	48.96	49.44	49.92	50.40	50.88	51.36	51.84	52.32	52.80
RU (kΩ)	19701.9	9945.94	6693.96	5067.97	4092.38	3441.99	2977.42	2628.99	2357.99	2141.19

### □□S53U

ΔV (%)	1	2	3	4	5	6	7	8	9	10
Vout (V)	53.53	54.06	54.59	55.12	55.65	56.18	56.71	57.24	57.77	58.30
RU (kΩ)	21808.437	11009.651	7410.056	5610.259	4530.38	3810.461	3296.233	2910.562	2610.596	2370.623

## OUTPUT VOLTAGE ADJUSTMENT(CONTINUED)

Trim-down



□□S□□U

$\Delta V$ (%)	1	2	3	4	5	6	7	8	9	10
RD (k $\Omega$ )	500.78	245.28	160.113	117.53	91.98	74.947	62.78	53.655	46.558	40.88
$\Delta V$ (%)	11	12	13	14	15	16	17	18	19	20
RD (k $\Omega$ )	36.235	32.363	29.088	26.28	23.847	21.718	19.839	18.169	16.675	15.33